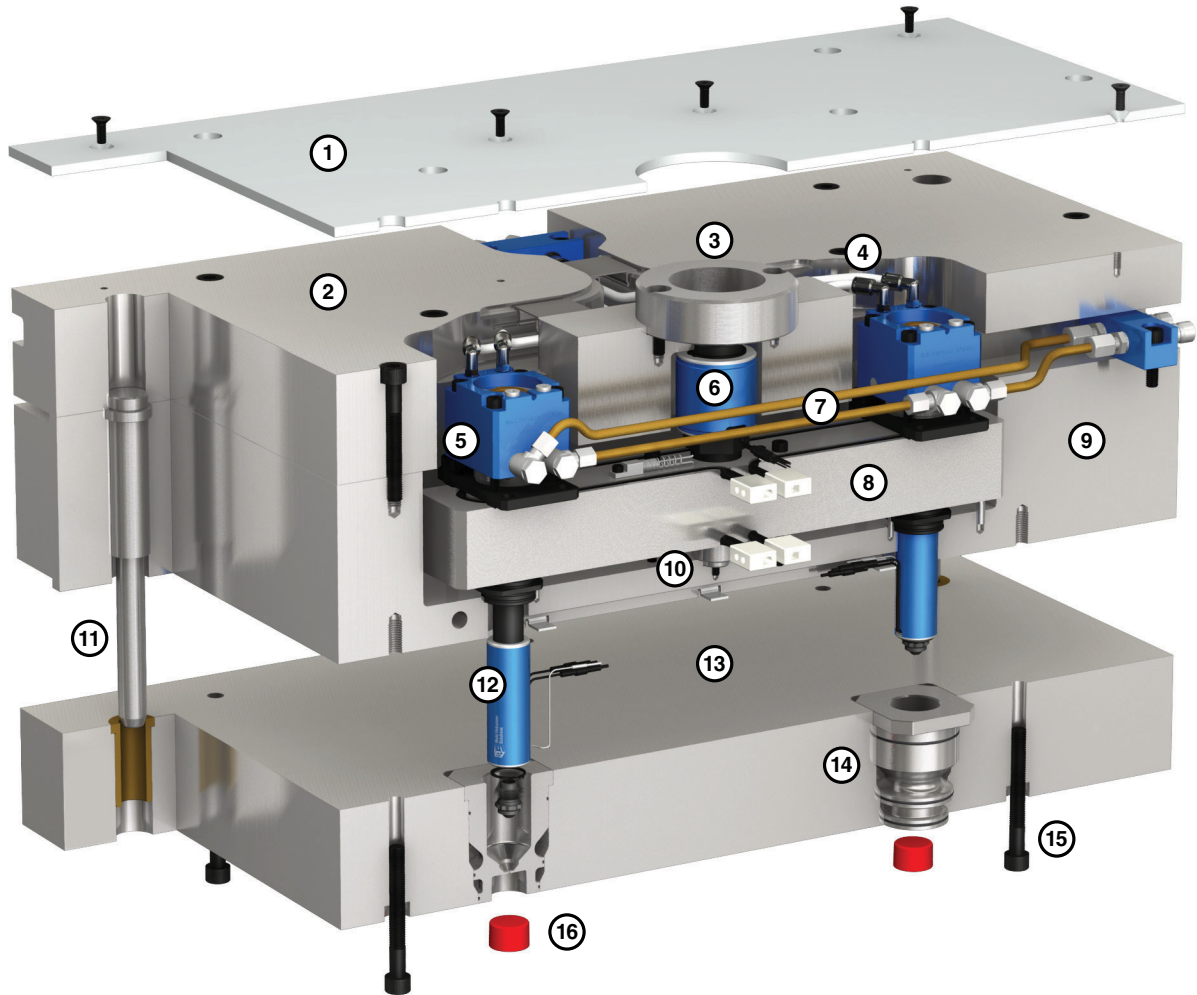




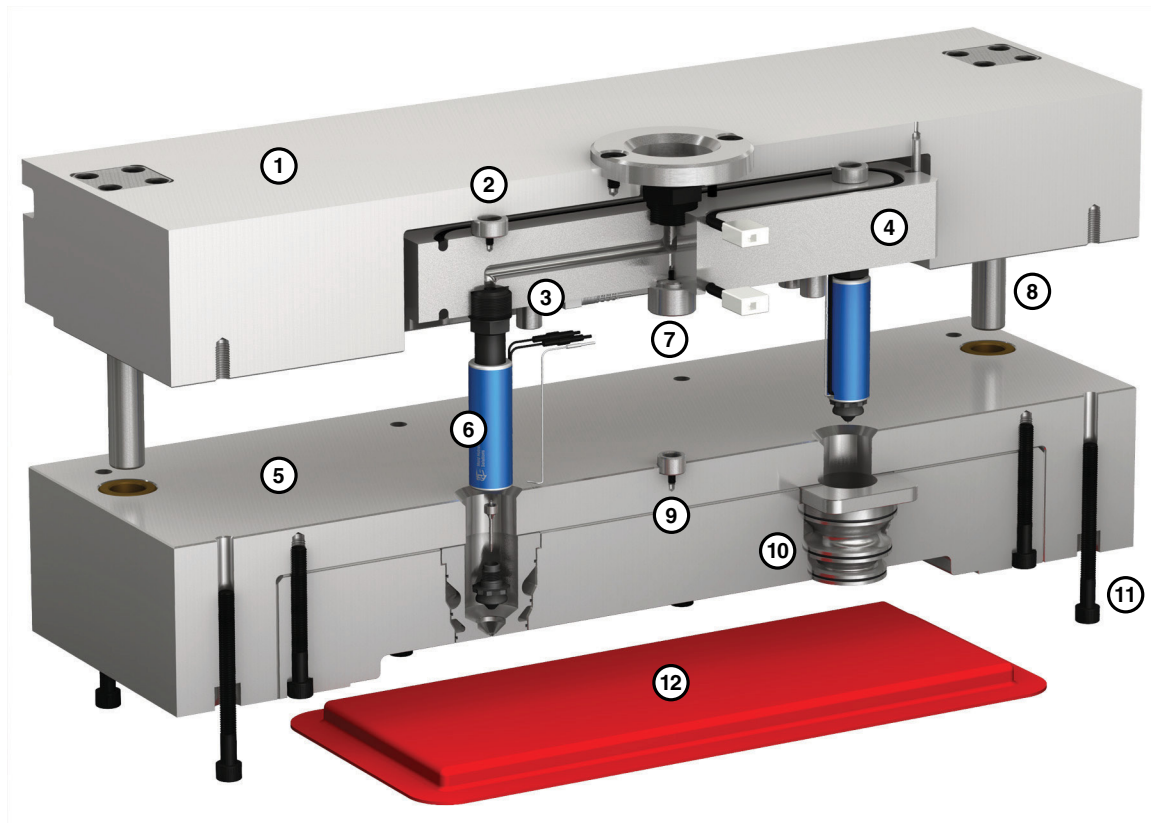
Seated Valve Gate System



- | | |
|------------------------------|------------------------------|
| 1. Insulating plate | 9. Manifold plate |
| 2. Top clamp plate | 10. Manifold support locator |
| 3. Locating ring | 11. Guide pin |
| 4. Valve actuator air supply | 12. Seated nozzle |
| 5. Valve actuator | 13. Cavity plate |
| 6. Melt inlet | 14. Cavity insert |
| 7. Valve actuator cooling | 15. Interface screw |
| 8. Manifold | 16. Plastic part |



Threaded Thermal Gate System



1. Manifold plate
2. Manifold support disk
3. Manifold support pillar
4. Manifold
5. Cavity plate
6. Threaded Nozzle
7. Manifold support locator
8. Guide pin
9. Manifold center locator
10. Cavity insert
11. Interface screw
12. Plastic part